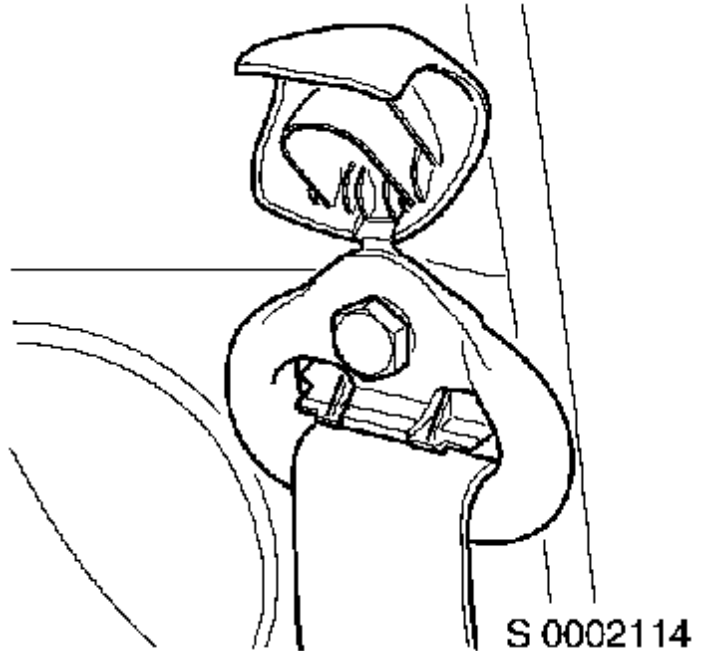


## Trim Panel, Rear Bulkhead, Remove and Install

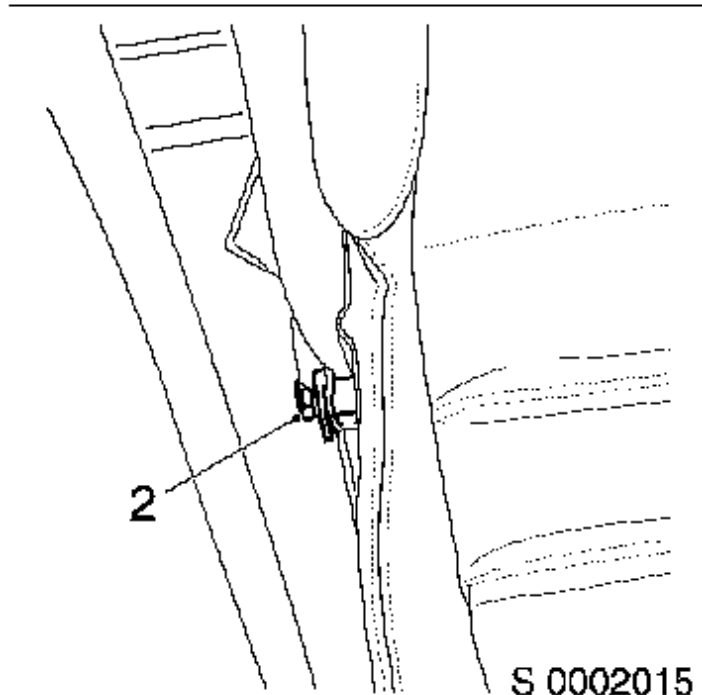
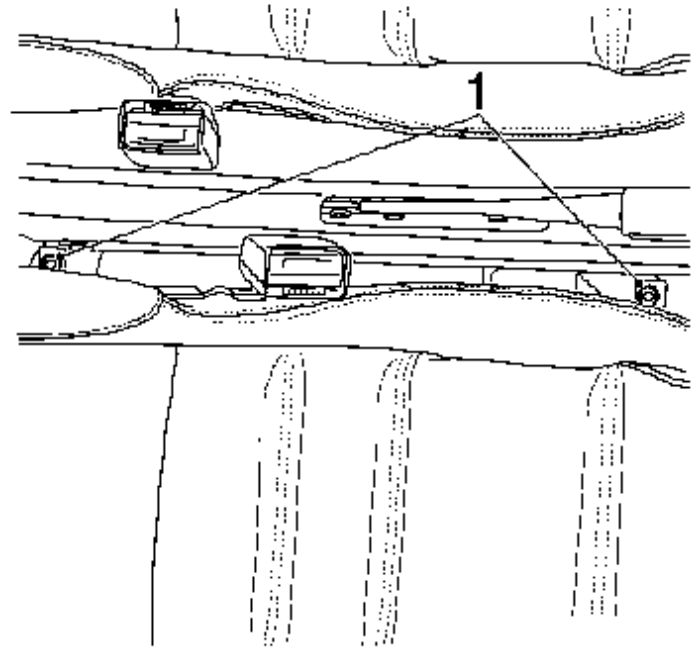


### Remove

1. Remove soft top from vehicle – see operation “Soft Top, Remove and Install”
2. Slide driver's seat forward
3. Remove upper anchor for driver's seat belt from B pillar
  - Release trim, remove bolt

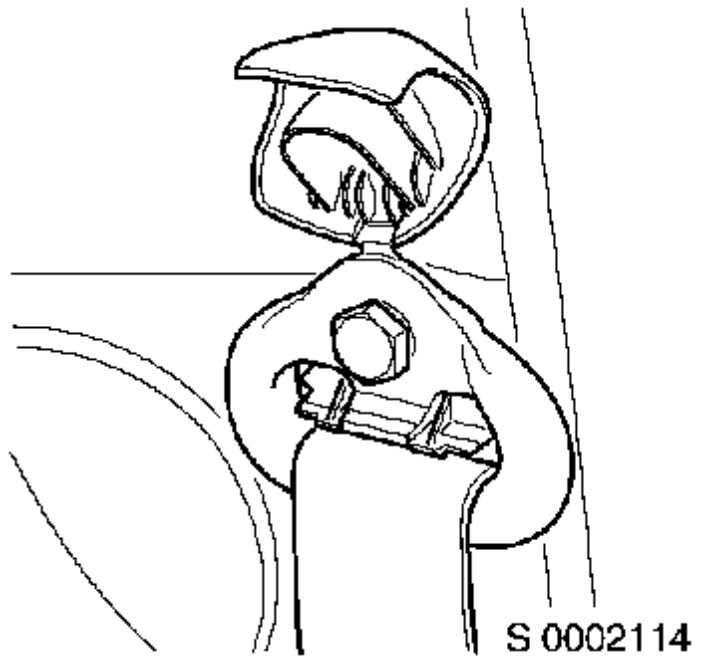


4. Remove passenger's seat from vehicle
  - Remove 4x bolt (1)
  - Remove lower bolt (2) for seat belt from seat

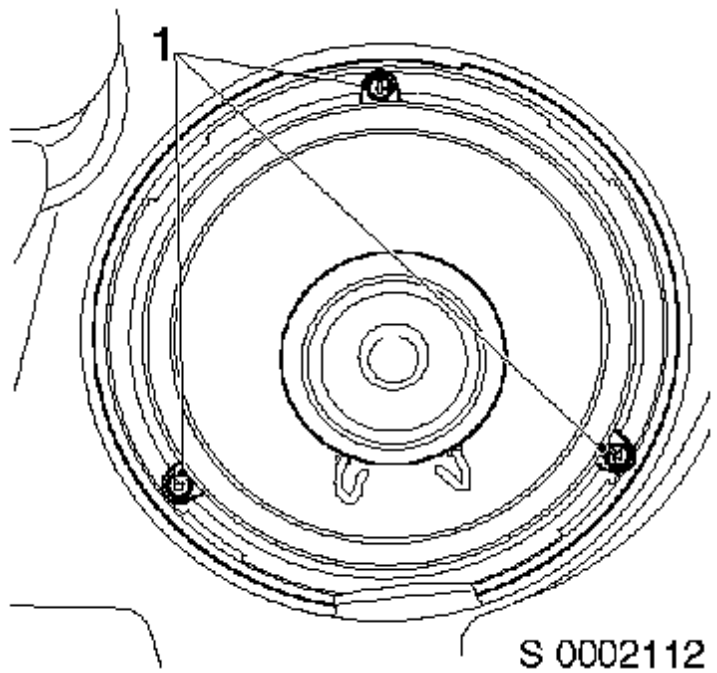


S 0002015

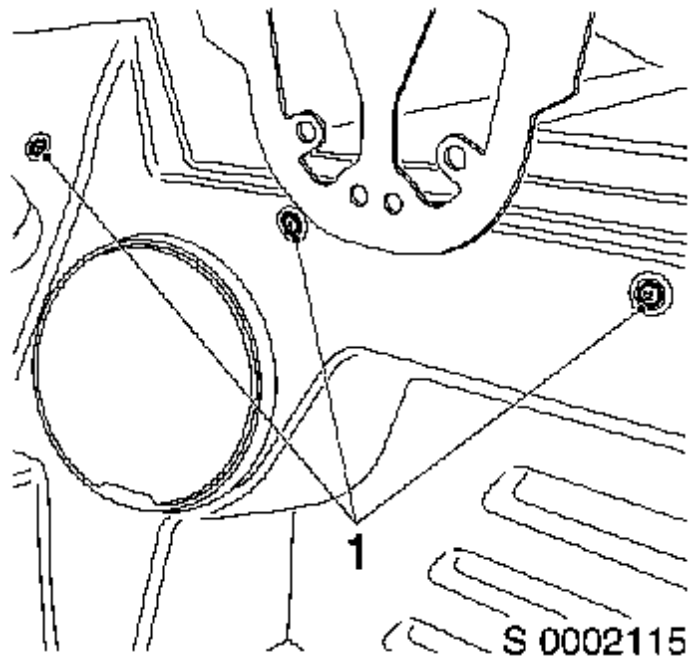
5. Remove upper anchor for passenger's seat belt from B pillar
  - Release trim, remove bolt



6. Remove both loudspeakers from trim panel
- Remove 2x loudspeaker cover, pull off
  - Remove 6x screw

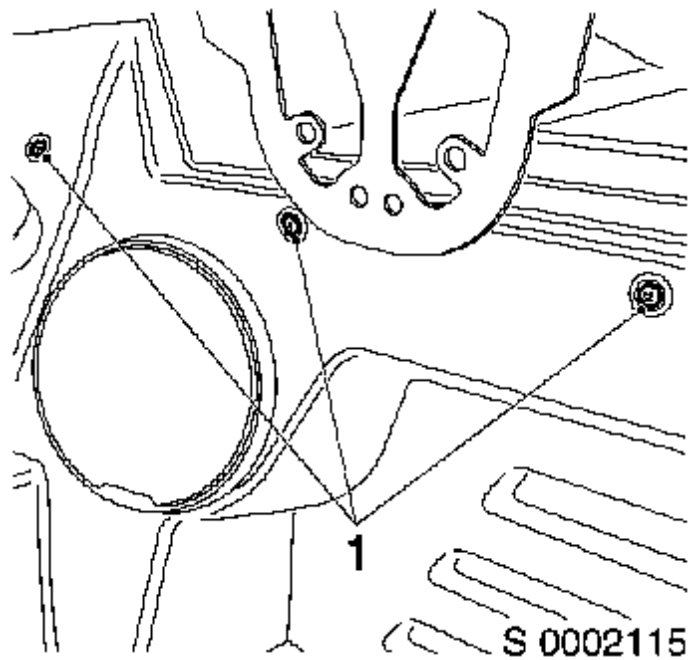


7. Remove trim panel from rear bulkhead
- Remove 6x screw (1)



**Install**

8. Install trim panel to rear bulkhead
  - Install 6x screw



9. Install loudspeakers to trim panel
  - Install 6x screw
  - Install 2x loudspeaker cover, push fit
10. Install upper anchor for driver's seat belt to B pillar
  - Install bolt, install trim
11. Install upper anchor for passenger's seat belt to B pillar
  - Install bolt, install trim
12. Install passenger's seat to vehicle

- Install lower anchor for seat belt to seat
- Install 4x bolt

**13.** Install soft top to vehicle